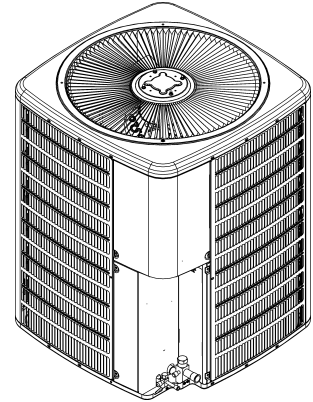




REPAIR PARTS

GSXN40**10 Remote Condensing Unit

GSXN401810AA
GSXN402410AA
GSXN403010AA
GSXN403610AA
GSXN404210AA
GSXN404810AA
GSXN406010AA



This manual is to be used by qualified technicians only.

© 2022 Goodman Manufacturing Company, L.P. ♦ 5151 San Felipe St, Suite 500 ♦ Houston, TX 77056

Important Information

Index

| | |
|------------------------------|-------|
| Functional Parts List | 3 |
| Illustration and Parts | 4 - 9 |

Views shown are for parts illustrations only, not servicing procedures.

Text Codes:

AR - As Required

NA - Not Available

NS - Not Shown

00000000 - See Note

QTY - Quantity Example (QTY 3) (If Quantity not shown, Quantity = 1)

M - Model Example (M1) (If M Code not shown, then part is used on all Models)

Expanded Model Nomenclature:

| |
|---|
| Example M1 - Model#1 M2 - Model#2 M3 - Model#3 |
|---|

Goodman Manufacturing Company, L.P. is not responsible for personal injury or property damage resulting from improper service. Review all service information before beginning repairs.

Warranty service must be performed by an authorized technician, using authorized factory parts. If service is required after the warranty expires, Goodman Manufacturing Company, L.P. also recommends contacting an authorized technician and using authorized factory parts.

Goodman Manufacturing Company, L.P. reserves the right to discontinue, or change at any time, specifications or designs without notice or without incurring obligations.

For assistance within the U.S.A. contact:
Homeowner Support
Goodman Manufacturing Company, L.P.
19001 Kermier Road
Waller, Texas 77484
877-254-4729-Telephone
713-863-2382-Facsimile

For assistance outside the U.S.A. contact:
International Division
Goodman Manufacturing Company, L.P.
19001 Kermier Road
Waller, Texas 77484
713-861-2500-Telephone
713-863-2382-Facsimile

Functional Parts

Part

No: Description:

| | |
|----------------|--|
| 0151R00185 | BASE VALVE 3/4" (M1, M2) |
| 0151R00187 | BASE VALVE 3/8" |
| 0151R00186 | BASE VALVE 7/8" (M3, M4, M5, M6, M7) |
| 0150M00012 | BLADE-FAN 20" CCW (M1, M2) |
| CAP050350440CS | CAP, 5/35 MFD/440V/DUAL RD (M2, M3) |
| CAB050400440CT | CAP, 5/40 MFD/440V RD - BPRF (M4, M6) |
| CAB050450440CT | CAP, 5/45 MFD/440V RD - BPRF (M5) |
| CAB050700440CT | CAP, 5/70 MFD/440V RD - BPRF (M7) |
| CAP050300440CS | CAP,5/30MFD/440V/DUAL RD (M1) |
| 0130R00116 | CAPACITOR HARD START (M1, M2, M3) |
| 50N4928V-ZAKM | COMPRESSOR (M2) |
| 50N3829V-ZAKM | COMPRESSOR (M1) |
| 5VS245FAA21 | COMPRESSOR (M3) |
| ZP40K7EPFV130 | COMPRESSOR, COPELAND (M6) |
| ZP34K7EPFV130 | COMPRESSOR, COPELAND (M5) |
| ZP31K7EPFV130 | COMPRESSOR, COPELAND (M4) |
| ZP51K7EPFV130 | COMPRESSOR, COPELAND (M7) |
| CONT1P030024V | CONTACTOR 30 AMP, 1P, 24V |
| 0130M00106 | DISC TERM CRNKCS HTR SW (M5, M6, M7) |
| 0130M00349 | DISC THERMOSTAT (M4, M5, M6, M7) |
| 0150M00008 | FAN BLADE, 22" TNT2203-25 (M3) |
| 0150M00054 | FAN BLADE, 26" (M4, M5, M6, M7) |
| 0163R00007 | HEATER CRANKCASE 230V 40W (M5, M6, M7) |
| 0131M00807 | MOTOR, 1/4HP, 1SP, 8PL, AL (M6, M7) |
| 0131M00753 | MOTOR, 1/6HP, 1 SP, 8PL, AL (M3, M4) |
| 0131M00945 | MOTOR, 1/6HP, 8PL (M5) |
| 0131M00969 | MOTOR, 1/8HP, 8PL, PSC (M1, M2) |
| 0130M00740 | PRE-WIRED RELAY (M1, M2, M3) |
| 0130M00089 | SW-CUTOUT HI PRESS (M1, M2, M3) |

SPECIAL PARTS

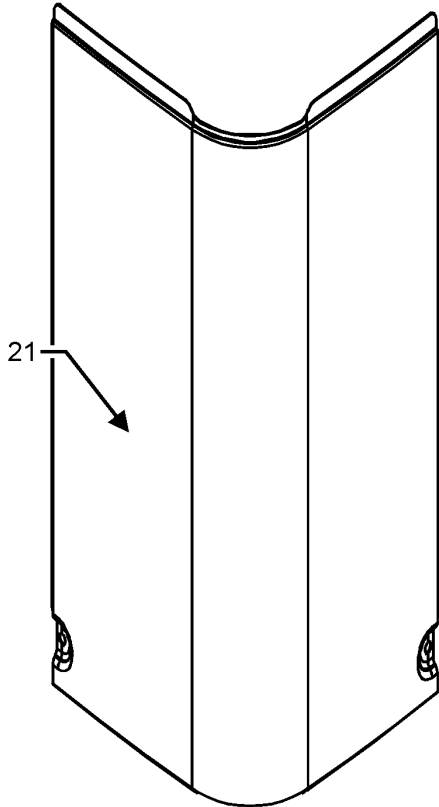
0161R00092 NAMEPLATE, GOODMAN

Expanded Model Nomenclature

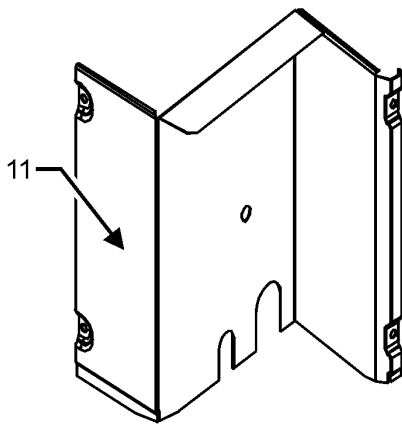
| |
|-------------------|
| M1 - GSXN401810AA |
| M2 - GSXN402410AA |
| M3 - GSXN403010AA |
| M4 - GSXN403610AA |
| M5 - GSXN404210AA |
| M6 - GSXN404810AA |
| M7 - GSXN406010AA |

Control Panel Assembly

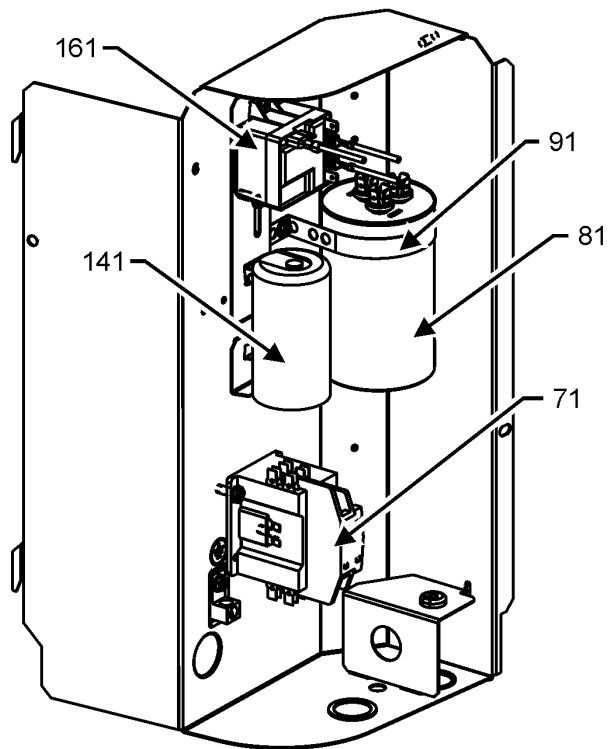
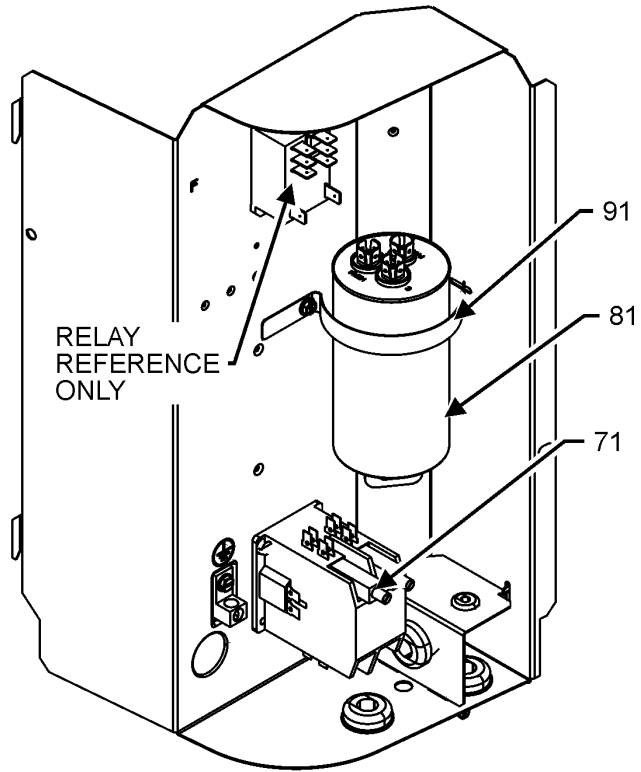
CONTROL PANEL ASSEMBLY



UPPER ACCESS COVER



LOWER ACCESS PANEL



CONTROL PANEL ASSEMBLY MAY DIFFER FROM WHAT IS SHOWN

Control Panel Assembly

| Ref. Part No: | No: | Description: | Ref. Part No: | No: | Description: |
|---------------|-----|--------------|---------------|-----|--------------|
|---------------|-----|--------------|---------------|-----|--------------|

Image 1:

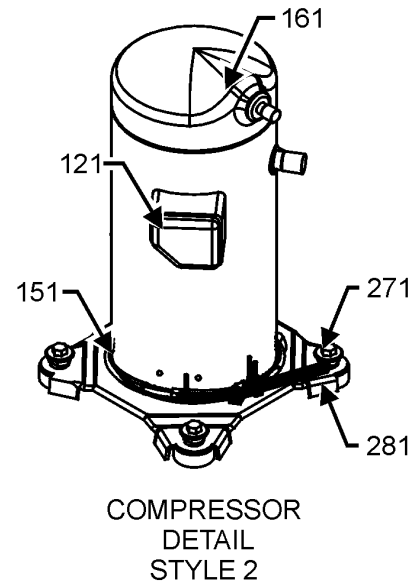
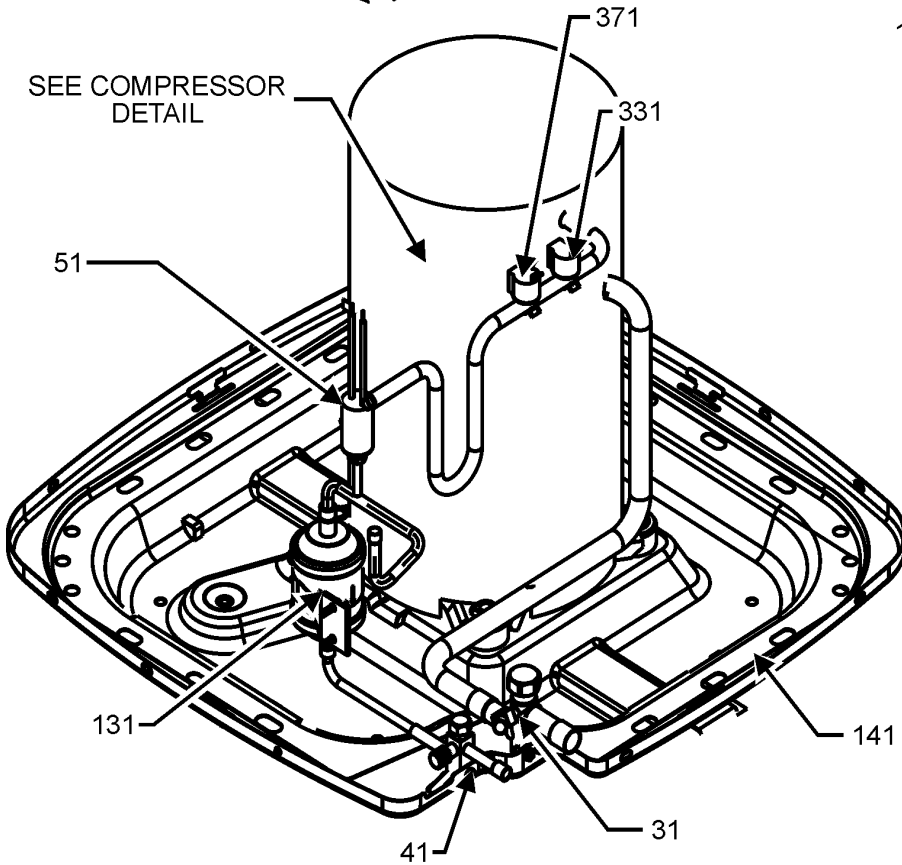
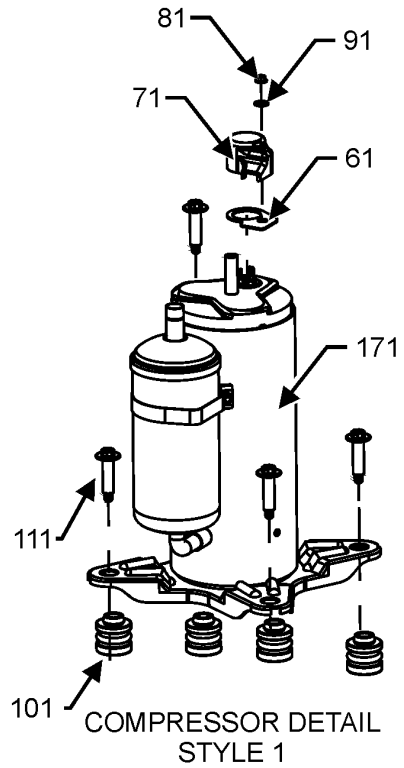
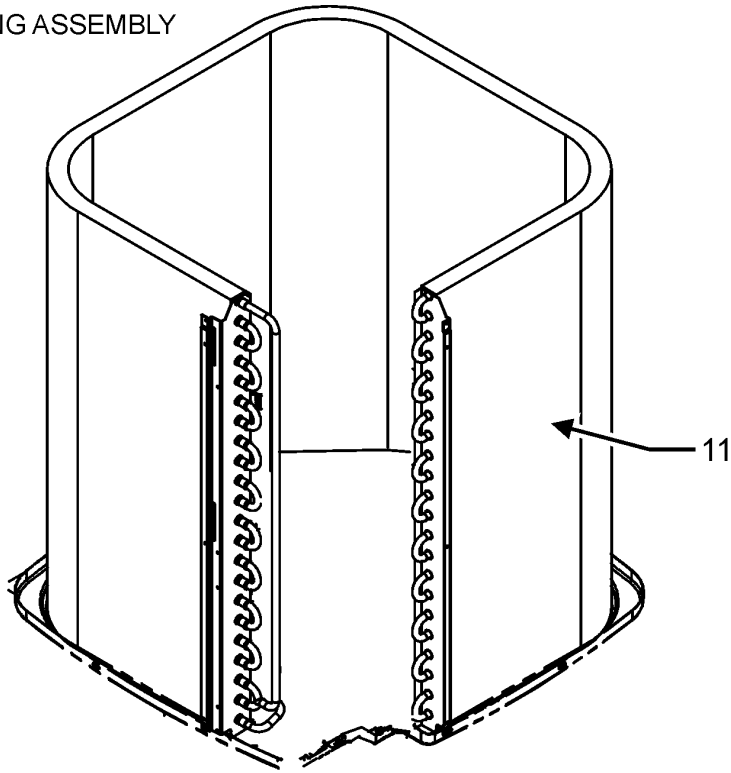
| | | |
|-----|----------------|---------------------------------------|
| 11 | 0121R00909PDG | PNL, LWR ACCESS (M3, M5, M6) |
| 11 | 0121R00912PDG | PNL, LWR ACCESS (M4) |
| 11 | 0121R00915PDG | PNL, LWR ACCESS (M1) |
| 11 | 0121R00917PDG | PNL, LWR ACCESS (M7) |
| 11 | 0121R00919PDG | PNL, LWR ACCESS (M2) |
| 21 | 0121R00937PDG | CONTROL COVER, PNT |
| 71 | CONT1P030024V | CONTACTOR 30 AMP, 1P, 24V |
| 81 | CAP050350440CS | CAP, 5/35 MFD/440V/DUAL RD (M2, M3) |
| 81 | CAB050400440CT | CAP, 5/40 MFD/440V RD - BPRF (M4, M6) |
| 81 | CAB050450440CT | CAP, 5/45 MFD/440V RD - BPRF (M5) |
| 81 | CAB050700440CT | CAP, 5/70 MFD/440V RD - BPRF (M7) |
| 81 | CAP050300440CS | CAP,5/30MFD/440V/DUAL RD (M1) |
| 91 | 4400065 | CAPACITOR STRAP |
| 141 | 0130R00116 | CAPACITOR HARD START (M1, M2, M3) |
| 161 | 0130M00740 | PRE-WIRED RELAY (M1, M2, M3) |
| NS | 0161R00092 | NAMEPLATE, GOODMAN |

Expanded Model Nomenclature

| |
|-------------------|
| M1 - GSXN401810AA |
| M2 - GSXN402410AA |
| M3 - GSXN403010AA |
| M4 - GSXN403610AA |
| M5 - GSXN404210AA |
| M6 - GSXN404810AA |
| M7 - GSXN406010AA |

Compressor and Tubing Assembly

TUBING ASSEMBLY



ACTUAL TUBING ASSEMBLY MAY DIFFER FROM WHAT IS SHOWN

Compressor and Tubing Assembly

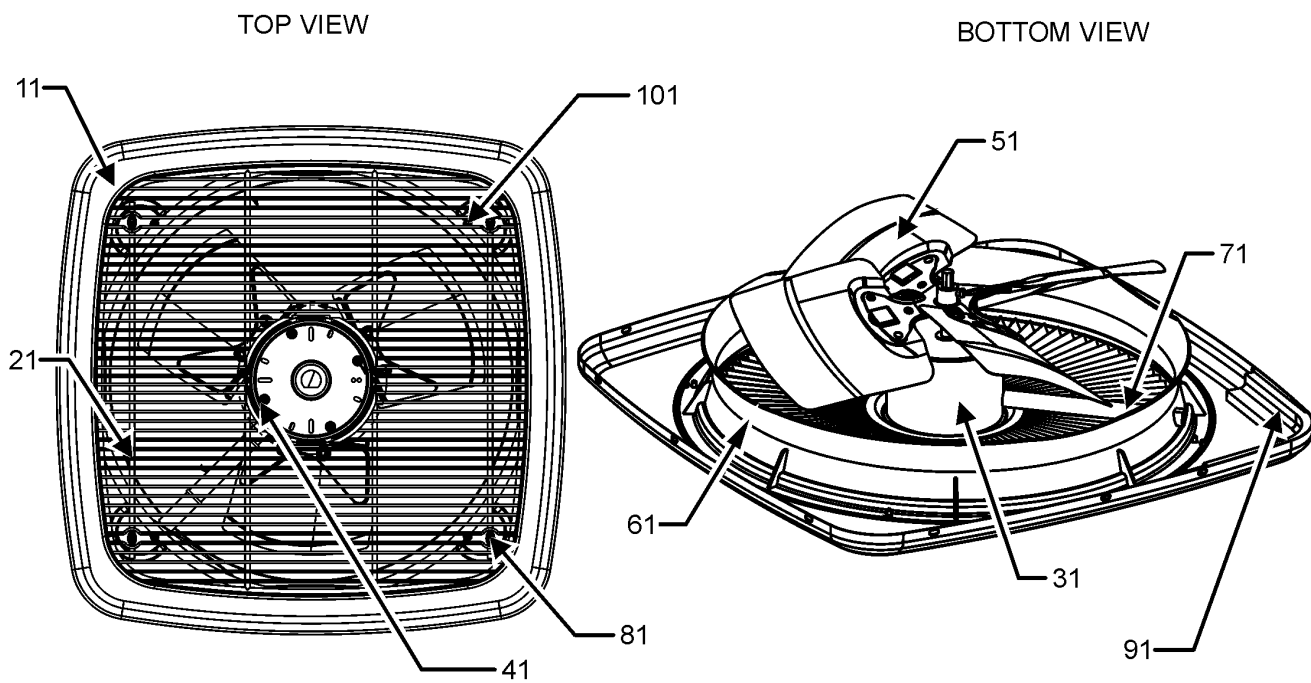
| Ref. Part No: | Ref. Part No: | Description: | Description: |
|-----------------|---------------|--|--------------|
| Image 1: | | | |
| 11 | 0201R00236 | COIL TUBING ASSY (M3) | |
| 11 | 0201R00311 | COIL TUBING ASSY (M4) | |
| 11 | 0201R00433 | COIL TUBING ASSY (M6) | |
| 11 | 0201R00666 | COIL TUBING ASSY (M2) | |
| 11 | 0201R00732 | COIL TUBING ASSY (M7) | |
| 11 | 0201R00778 | COIL TUBING ASSY (M1) | |
| 11 | 0201R00809 | COIL TUBING ASSY (M5) | |
| 31 | 0151R00185 | BASE VALVE 3/4" (M1, M2) | |
| 31 | 0151R00186 | BASE VALVE 7/8" (M3, M4, M5, M6, M7) | |
| 41 | 0151R00187 | BASE VALVE 3/8" | |
| 51 | 0130M00089 | SW-CUTOUT HI PRESS (M1, M2, M3) | |
| 61 | 0154M00003 | GASKET, TERM COVER (M3) | |
| 61 | 60100107 | TERMINAL COVER GASKET (M1, M2) | |
| 71 | 0130M00028 | TERMINAL COVER (M3) | |
| 71 | 60100317 | TERMINAL COVER (M1, M2) | |
| 81 | 0163M00468 | TERMINAL COVER NUT (M3) | |
| 81 | 60100401 | TERMINAL NUT - RECHI COMP (M1, M2) | |
| 91 | 0154M00078 | TERMINAL COVER NUT GASKET (M3) | |
| 91 | 60100201 | WASHER - RECHI COMPRESSOR (M1, M2) | |
| 101 | 60140209 | GROMMET - RECHI COMPRESSOR (M1, M2) | |
| 101 | 0164M00000P | GROMMET, COMP, PANASONIC (M3) | |
| 111 | 0163M00186 | SCREW-SHOULDER TF (M1, M2) | |
| 111 | 0163M00502 | SCREW-SHOULDER TF BLUE (M3) | |
| 121 | 0159R00002P | HARNES, COMP SCROLL 130 46" (M4, M5, M6, M7) | |
| 131 | 0162R00057 | FILTER DRIER | |
| 141 | 0121R00005PDG | BASE PAN 26" (M1, M2) | |
| 141 | 0121R00006PDG | BASE PAN 29" (M3) | |
| 141 | 0121R00007PDG | BASE PAN 35" (M4, M5, M6, M7) | |
| 151 | 0163R00007 | HEATER CRANKCASE 230V 40W (M5, M6, M7) | |
| 161 | ZP31K7EPFV130 | COMPRESSOR, COPELAND (M4) | |
| 161 | ZP34K7EPFV130 | COMPRESSOR, COPELAND (M5) | |
| 161 | ZP40K7EPFV130 | COMPRESSOR, COPELAND (M6) | |
| 161 | ZP51K7EPFV130 | COMPRESSOR, COPELAND (M7) | |
| 171 | 50N3829V-ZAKM | COMPRESSOR (M1) | |
| 171 | 50N4928V-ZAKM | COMPRESSOR (M2) | |
| 171 | 5VS245FAA21 | COMPRESSOR (M3) | |
| 271 | M0221641 | TF SHOULDER SCREW (M4, M5, M6, M7) | |
| 281 | B1339533 | COMPRESSOR GROMMET (M4, M5, M6, M7) | |
| 331 | 0130M00106 | DISC TERM CRNKCS HTR SW (M5, M6, M7) | |
| 371 | 0130M00349 | DISC THERMOSTAT (M4, M5, M6, M7) | |
| NS | 0160M00036 | COMPRESSOR BLANKET (M1, M2, M3) | |
| NS | B1789857 | FLOW CHECK PISTON KIT (M1, M2, M4) | |
| NS | B1789865 | FLOW CHECK PISTON KIT (M3) | |
| NS | B1789878 | FLOW CHECK PISTON KIT (M5, M6, M7) | |

Expanded Model Nomenclature

| |
|-------------------|
| M1 - GSXN401810AA |
| M2 - GSXN402410AA |
| M3 - GSXN403010AA |
| M4 - GSXN403610AA |
| M5 - GSXN404210AA |
| M6 - GSXN404810AA |
| M7 - GSXN406010AA |

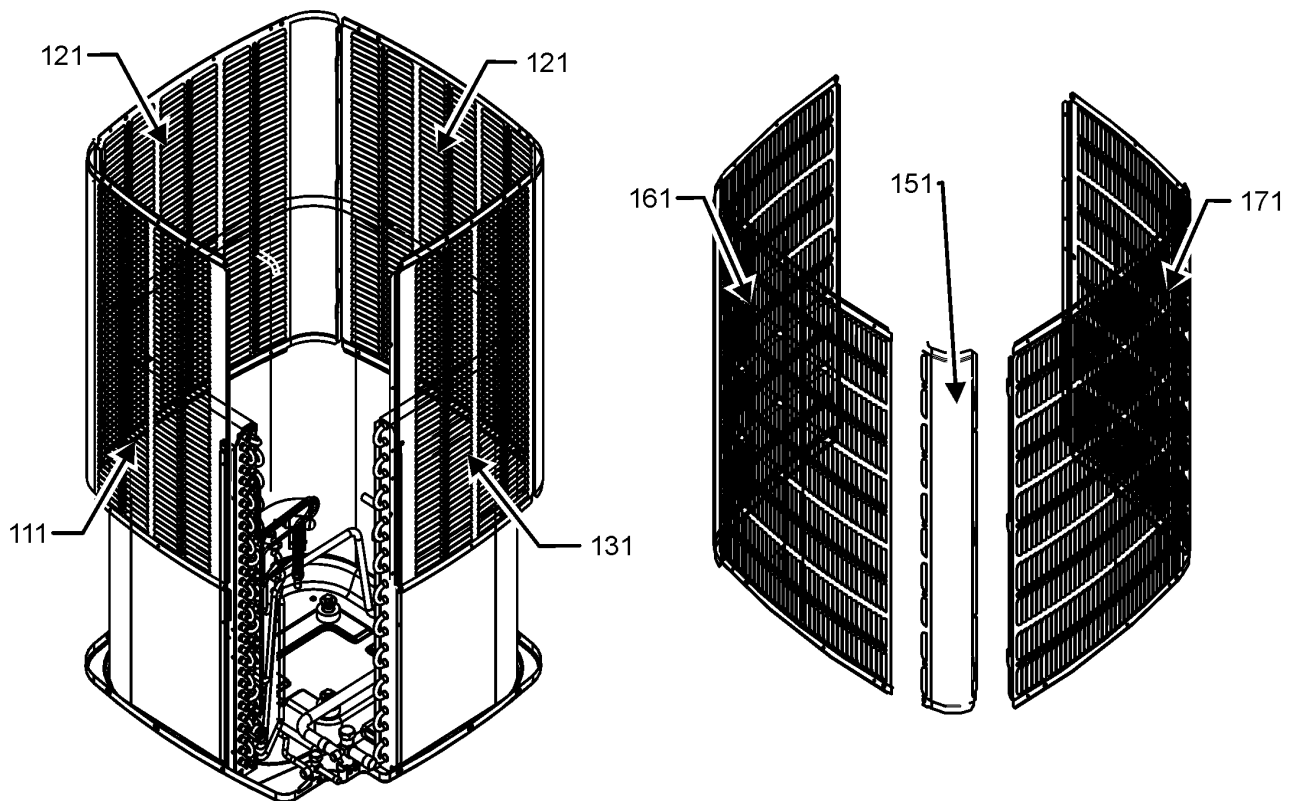
Top and Louver Panel Assembly

TOP PANEL AND LOUVER PANEL ASSEMBLY



LOUVER PANEL ASSEMBLY STYLE 1

LOUVER PANEL ASSEMBLY STYLE 2



TOP PANEL AND LOUVER ASSEMBLY MAY DIFFER FROM WHAT IS SHOWN

Top and Louver Panel Assembly

| Ref. Part No: | Part No: | Description: | Ref. Part No: | Part No: | Description: |
|---------------|----------|--------------|---------------|----------|--------------|
|---------------|----------|--------------|---------------|----------|--------------|

Image 1:

| | | |
|-----|-----------------|--|
| 11 | 0121R00931PDG | PANEL, TOP 26. PNT (M1, M2) |
| 11 | 0121R00935PDG | PANEL, TOP 29. PNT (M3) |
| 11 | 0121R00936PDG | TOP PANEL, 35. PNT (M4, M5, M6, M7) |
| 21 | 0152R00024 | 26" GRILLE CFS (M1, M2) |
| 21 | 0152R00025 | 29" GRILLE CFS (M3) |
| 21 | 0152R00026 | GRILL, WIRE 35. TOP (M4, M5, M6, M7) |
| 31 | 0131M00807 | MOTOR, 1/4HP,1SP,8PL,AL (M6, M7) |
| 31 | 0131M00753 | MOTOR, 1/6HP, 1SP, 8PL, AL (M3, M4) |
| 31 | 0131M00945 | MOTOR, 1/6HP, 8PL (M5) |
| 31 | 0131M00969 | MOTOR, 1/8HP, 8PL, PSC (M1, M2) |
| 41 | 0163M00006P | ACORN NUT 5/16 HEX BLACK (QTY 4) |
| 51 | 0150M00012 | BLADE-FAN 20" CCW (M1, M2) |
| 51 | 0150M00008 | FAN BLADE, 22" TNT2203-25 (M3) |
| 51 | 0150M00054 | FAN BLADE, 26" (M4, M5, M6, M7) |
| 61 | 0161R00103 | 26" VENTURI CFS (M1, M2) |
| 61 | 0161R00104 | 29" VENTURI CFS (M3) |
| 61 | 0161R00105 | 35" VENTURI CFS (M4, M5, M6, M7) |
| 71 | 0161R00001P | CONDUIT (M1, M2) |
| 71 | 0161R00002P | CONDUIT (M3) |
| 71 | 0161R00100 | CONDUIT (M4, M5, M6, M7) |
| 81 | 0163M00003P | SCREW,#10 X 1/2,A,SLOT,SR,BLK (M4, M5, M6, M7) |
| 81 | 0163M00004 | SCREW,#10X3/4",BLK (M1, M2, M3) |
| 91 | 0154R00045 | GASKET, CONTROL PANEL |
| 101 | 0163M00004 | SCREW 10X3/4 BLK (QTY 4) |
| 111 | 0121R00228PDG | PANEL 1, LOUVER 35, 5MM, PNT (M4) |
| 111 | 0121R00592PDG | PANEL 1, LOUVER 35_34.64 PNT (M7) |
| 111 | 0121R00229PDG | PANEL 1,LOUVER 35,37.8 5MM,PNT (M5, M6) |
| 121 | 0121R00232PDG | PANEL 2, LOUVER 35 (M5, M6) |
| 121 | 0121R00231PDG | PANEL 2, LOUVER 35, 5MM, PNT (M4) |
| 121 | 0121R00594PDG | PANEL 2, LOUVER 35_34.64 PNT (M7) |
| 131 | 0121R00235PDG | PANEL 3, LOUVER 35, 37.8 (M5, M6) |
| 131 | 0121R00235PDG | PANEL 3, LOUVER 35, 37.8 (M5, M6) |
| 131 | 0121R00234PDG | PANEL 3, LOUVER 35, 5MM, PNT (M4) |
| 131 | 0121R00596PDG | PANEL 3, LOUVER 35_34.64 PNT (M7) |
| 151 | 0121R00347PDG | Louver Post, PDG 23.73 (M1) |
| 151 | 0121R00350PDG | Louver Post, PDG 28.73 (M2) |
| 151 | 0121R00354PDG | Louver Post, PDG 36.30 (M3) |
| 161 | 0121R00336PDGLS | Louver Panel, PDG 26" _23.73 (M1) |
| 161 | 0121R00337PDGLS | Louver Panel, PDG 26" _28.73 (M2) |
| 161 | 0121R00346PDGLS | Louver Panel, PDG 29" _36.30 (M3) |
| 171 | 0121R00336PDGRS | Louver Panel, PDG 26" _23.73 (M1) |
| 171 | 0121R00337PDGRS | Louver Panel, PDG 26" _28.73 (M2) |
| 171 | 0121R00346PDGRS | Louver Panel, PDG 29" _36.30 (M3) |
| NS | 0163M00005P | WASHER, BLACK (.50 OD .218D) (QTY 4) |

Expanded Model Nomenclature

| |
|-------------------|
| M1 - GSXN401810AA |
| M2 - GSXN402410AA |
| M3 - GSXN403010AA |
| M4 - GSXN403610AA |
| M5 - GSXN404210AA |
| M6 - GSXN404810AA |
| M7 - GSXN406010AA |